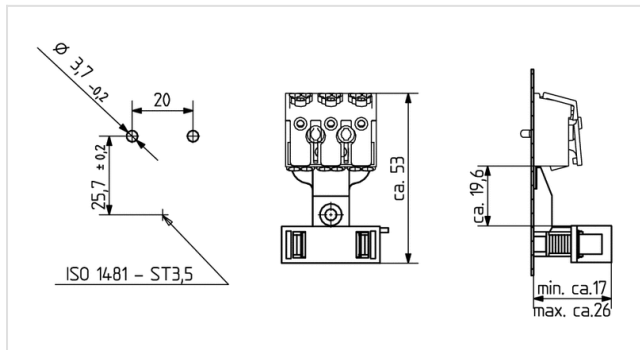
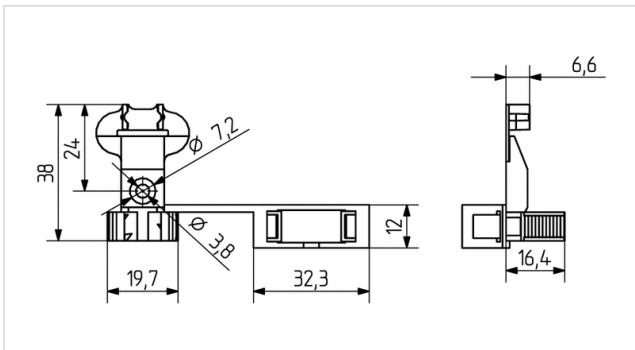




## 46.413.-371

Terminal blocks and Connectors  
Accessories



|                  |                |
|------------------|----------------|
| <b>Farbe:</b>    | weiß           |
| <b>FC:</b>       | 50             |
| <b>Part no.:</b> | 46.413.-371.50 |

### Description

- - Screw mounting: for self-tapping screws
- - Screw length and screw form must be suitable for the intended application
- - Suitable for cable with  $\varnothing$  6 mm - 10 mm
- - Complies with the requirements of EN 60598 § 5.2.10.1
- (maximum total cable cross section 8 mm<sup>2</sup>)

|                           |   |
|---------------------------|---|
| <b>Short description:</b> | Cable clamp for terminal blocks 46.413 - 46.415 |
| <b>Product name:</b>      | Cable clamp                                     |
| <b>Color:</b>             | white   |
| <b>Mounting method 1:</b> | Screw mount                                     |
| <b>Material:</b>          | Material: POM                                   |
| <b>Weight:</b>            | 3   |
| <b>Cable clamp:</b>       | for terminal blocks 46.413 - 46.415             |
| <b>Pkg.:</b>              | 500   |